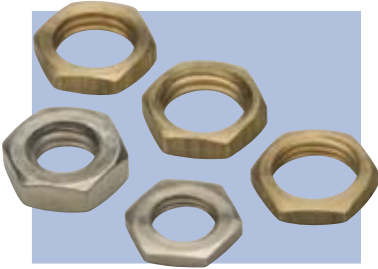




SERIES H31 SMALL PATTERN HEX MACHINE SCREW NUTS

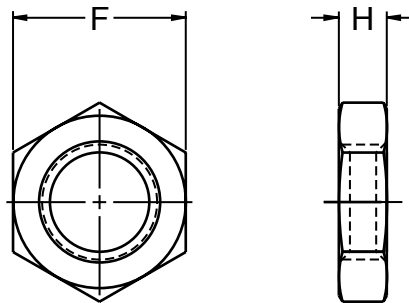


Small pattern hex machine screw nuts are designed to be used with machine screws in applications where there is limited room for wrenching.

Virtually any thread can be made into a small pattern machine screw nut. As long as there is enough clearance between the wrench size distance and the thread, nominal thread sizes are available in any nut pattern. This allows a number of unique combinations that can be made to order in addition to our standard offering.



Series H31



SMALL PATTERN HEX MACHINE SCREW NUTS, H31

Nominal or Basic Major Diameter of Thread and Threads Per Inch		F	H
		Wrench Size	Thickness
No. 4 – 40	0.1120 – 40	3/16	1/16
No. 5 – 40	0.1250 – 40	1/4	3/32
No. 6 – 32	0.1380 – 32	1/4	3/32
No. 8 – 32	0.1640 – 32	1/4	3/32
No. 10 – 24	0.1900 – 24	5/16	7/64
No. 10 – 32	0.1900 – 32	5/16	7/64

MATERIALS: Brass, 303 Stainless Steel, and Aluminum.

FINISHES: Plain, Bright Nickel, Passivated, and Zinc with Chromate. Other finishes available upon request.

TO ORDER: Provide Series, thread size - pitch, material and finish.

EXAMPLE: H31, 10 – 24, Brass, Nickel

SPIROL®

Innovative fastening solutions.
Lower assembly costs.



Challenge Us!

SPIROL Application Engineers will review your application needs and work with your design team to recommend the best solution. One way to start the process is to visit our **Optimal Application Engineering** portal at www.SPIROL.com.

U.S.A. Spirol International Corporation
30 Rock Avenue
Danielson, Connecticut 06239
Tel. +1 (1) 860.774.8571
Fax. +1 (1) 860.774.2048

Spirol West Inc.
1950 Compton Avenue, Unit 111
Corona, California 92881-6471
Tel. +1 (1) 951.273.5900
Fax. +1 (1) 951.273.5907

**Spirol International Corporation
Shim Division**
321 Remington Road
Stow, Ohio 44224
Tel. +1 (1) 330.920.3655
Fax. +1 (1) 330.920.3659

Spirol Distribution
(For Distributor Customers)
30 Rock Avenue
Danielson, Connecticut 06239
Tel. +1 (1) 860.774.8571
Fax. +1 (1) 860.774.0487

Canada Spirol Industries, Ltd.
3103 St. Etienne Boulevard
Windsor, Ontario
Canada N8W 5B1
Tel. +1 (1) 519.974.3334
Fax. +1 (1) 519.974.6550

Mexico Spirol México, S.A. de C.V.
Carretera a Laredo KM 16.5 Interior E
Col. Moisés Saenz
Apodaca, N.L. 66613 México
ó Apdo. Postal 151 de Apodaca, N.L.
Tel. +52 (01) 81 8385 4390
Fax. +52 (01) 81 8385 4391

Europe Spirol Industries, Ltd.
Princewood Road
Corby, Northants
England NN17 4ET
Tel. +44 (0) 1536 444800
Fax. +44 (0) 1536 203415
(UK Distributors: Tel. 0800 3890034)

Spirol SAS
Rue Henri Rol Tanguy
Z.A. Les Naux
51450 Bétheny - Reims
France
Tel. +33 (0) 3 26 36 31 42
Fax. +33 (0) 3 26 09 19 76

Spirol GmbH
Briener Strasse 9
80333 Munich
Germany
Tel. +49 (0) 931 454 670 74
Fax. +49 (0) 931 454 670 75

**Asia Pacific Spirol International Engineered
Fastener Trading Co. Ltd.**
No. 11 Xi Ya Rd. North
Section A, 1F, Building 14
Wai Gao Qiao Free Trade Zone
Shanghai, China 200131
Tel. +86 (0) 21 5046-1451/1452
Fax. +86 (0) 21 5046-1540

e-mail: info@spirol.com

www.SPIROL.com